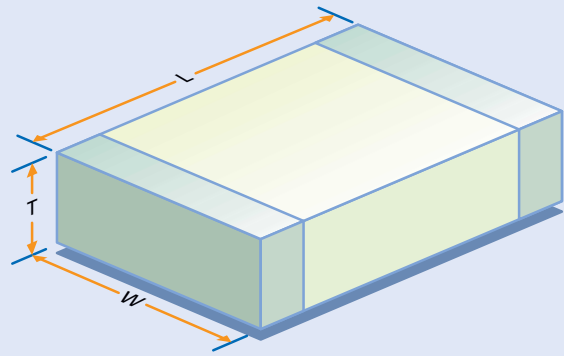


Surface Mount Chip Capacitors

Tip and Ring

X7R

Syfer's range of 250V d.c. chip capacitors is ideal for telephone line filtering (Tip'N Ring) applications. These parts are rated for telephone voltages and block the DC line voltage whilst passing the subscriber's AC signal pulse. They are designed as replacements for high voltage leaded film capacitors thereby saving PC board space and reducing weight. This range has a wide band operation, low ESR, excellent high frequency filtering and improved temperature performance compared to film capacitors.



Capacitance Range	100nF to 1.0μF
Chip Sizes	1812, 2220, 2225 (1825 available to special order)
Temperature Range	-55°C to +125°C
Dielectric Withstand Voltage	Minimum 500V (5 seconds)
Dielectric	X7R
Voltage	250V d.c.
Life Test	1000hrs, 300V d.c. at 85°C
Taped and Reeled	1812 1K pieces on 178mm (7") reels 4K pieces on 330mm (13") reels 2220/2225 500 pieces on 178mm (7") reels 2K pieces on 330mm (13") reels

Type	1812	2220	2225
Dimensions mm (inches)			
Length (L)	4.5±0.35 (0.18±0.014)	5.7±0.4 (0.22±0.016)	5.7±0.4 (0.22±0.016)
Width (W)	3.2±0.3 (0.13±0.012)	5.0±0.4 (0.2±0.016)	6.3±0.4 (0.25±0.016)
Thickness (T) Max	2.0 (0.08)	2.5 (0.1)	2.5 (0.1)
Rated voltage d.c.	250V	250V	250V
Cap. range Code	Minimum and Maximum capacitance values available		
100nF	104		
120nF	124		
150nF	154		
180nF	184		
220nF	224		
270nF	274		
330nF	334		
390nF	394		
470nF	474		
560nF	564		
680nF	684		
820nF	824		
1.0μF	105		

Ordering Information

1812 Chip Size	J Termination J = Nickel Barrier	250 Voltage 250 = 250Vdc	0474 Capacitance Expressed in picofarads (pF). First digit is 0. Second and third digits are significant figures of capacitance code. The fourth digit is number of zeros following. eg: 0474 = 470,000pF = 470nF	K Tolerance J = ± 5% K = ±10% M = ±20%	X Dielectric X = X7R	T Packaging T = 178mm (7") reel R = 330mm (13") reel B = Bulk
--------------------------	---	---------------------------------------	--	---	-----------------------------------	--